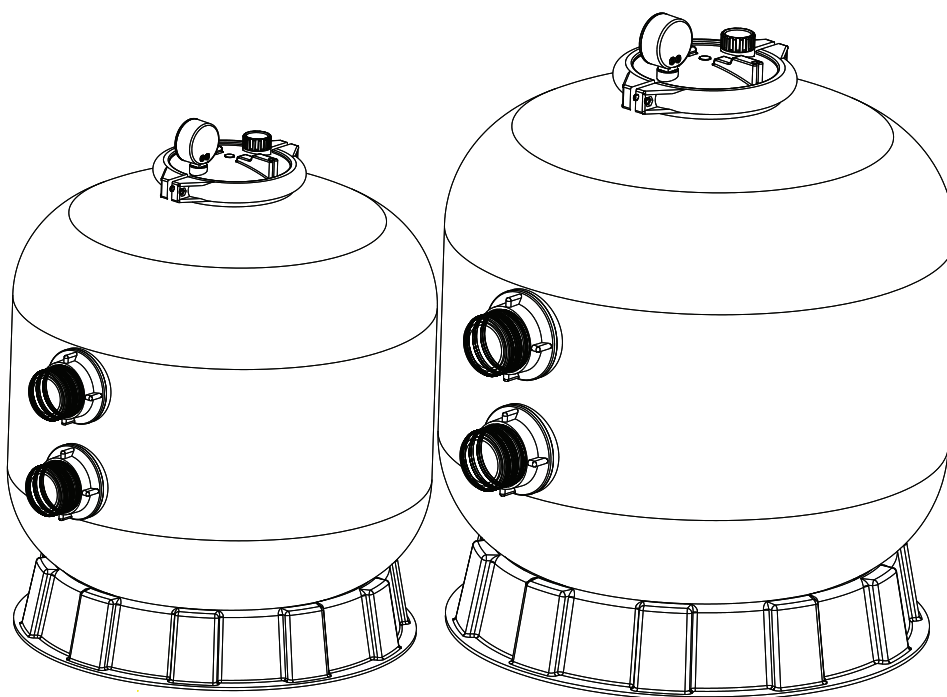


Sand filtration with a side Six-way valve

(Models: SP450, SP500, SP650, SP700)



INSTALLATION
AND USER GUIDE



VERZE 31. 8. 2017 / REVIZE: 31. 8. 2017

EN

Content

| | | |
|-----------|---|----------|
| 1. | Description of the functions of the filter container and six-way valve | 3 |
| 2. | Installation | 3 |
| 3. | Main dimensions | 4 |
| 4. | Installation/starting up the filtration | 4 |
| 5. | List of filtration's components | 5 |
| 6. | List of selector valve components | 6 |
| 7. | Functions of the valve and meaning of its positions | 7 |
| 8. | Warranty conditions | 9 |

Thank you for choosing our product and trusting our company. To help you to get the maximum pleasure from using this product, please read these instructions carefully before use and strictly follow the user's manual to prevent damage to the device or unnecessary injuries.

Description of the functions of the filter container and six-way valve

1.

The device is used for the maintenance and cleaning of swimming pool water. It consists of a custom filter container and side six-way valve. The water is cleaned by the flow of the water through the filter container filled with filtration media using a circulation pump. The most widely used filter medium is silica sand. Untreated pool water is sucked through the circulation pump and subsequently extruded through the technology (pipes, fittings, valves) and the six-way valve into its own filter container. Part of the six-way valve is a pressure gauge which is used for visual inspection of impurities in the filter medium. The water passes through the filter medium, where the impurities are trapped. Purified water drains into the technology through pipes, fittings and circulation nozzles back into the pool. This process of cleaning of the pool water is highly efficient, smooth and provides a complete recirculation of the pool water.

NOTE:

Before changing the position of the valve lever, turn off the pump.

Installation

2.

If you do not use a professional service to install the device, we recommend a filter device mounted as close as possible to the swimming pool shell, however, at least up to a distance of about 5 m. If it is necessary to install the filter device at a greater distance than 5 m, contact an authorized service centre. The device should be placed on a hardened level surface; we recommended a concrete slab with a minimum thickness of 10 cm. For hassle-free maintenance and service we recommended installing the entire device under the level of the pool water. Proprietary technology (pipes), both suction and discharge, must be closed by shut-off valves. We recommend also making the drainage pipes in the place of installation of the device. Drainage pipes can be used for operation and maintenance of the device. Filling the filter container with filtration media: Before filling the filter container place the plastic base in the chosen place. At the bottom of the container mount the complete drainage valve and tighten it.

1. Remove the transparent lid of the filter container and slowly pour the filter medium in the necessary quantity (about 3/4 of the sand container). When pouring the media be careful to avoid misalignment of the central tube. Straighten the medium in the container
2. Carefully clean the groove in the neck of the sand container. Mount the seal on the groove. Apply an appropriate water grease on the seal, we recommend silicon grease. Put the transparent cover on the filter container and secure with the clamp flange. Screw the clamps very carefully. Mount the pressure gauge very carefully to the threaded part of the cover. Screw down the pressure gauge including the seals, to which apply grease.

Tighten the pressure gauge very carefully and gently screw into the inner plastic fittings.

3. Mount the six-way valve using the screws and sealing.
4. Attach the connection pipe to the circulation pump discharge and to the six-way valve outlet moulding marked PUMP.
5. Attach the six-way valve connected to the discharge pipe to the moulding marked RETURN. Connect the other technological parts.
6. We recommend that you also connect the six-way valve outlet marked WASTE to a suitable drainage pipe.
7. Fill the technology with water up, and check the tightness of all the technology components. If you find water leaks, tighten the connections. It should be noted that all fittings and connections are made of plastic. In the case of excessive tightening of the connecting parts they could be damaged, we recommend you refer to installation experts.

3.

Main Dimensions

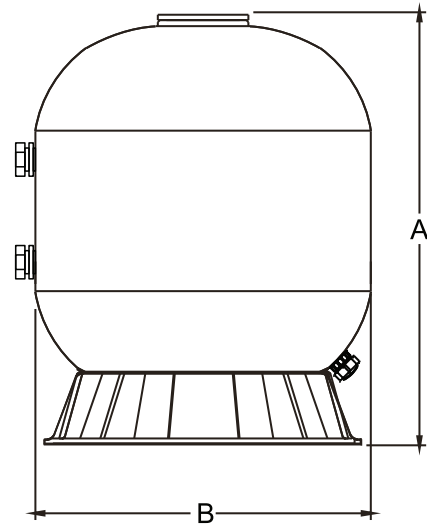


Table of dimensions

| Model | Height A (mm) | Diameter B (mm) | Set flow rate (m ³ /h) | Sand (kg) |
|-------|---------------|-----------------|-----------------------------------|-----------|
| SP450 | 730 | 449 | 6 | 45 |
| SP500 | 770 | 527 | 9 | 85 |
| SP650 | 850 | 627 | 12 | 145 |
| SP700 | 960 | 703 | 16 | 210 |

4.

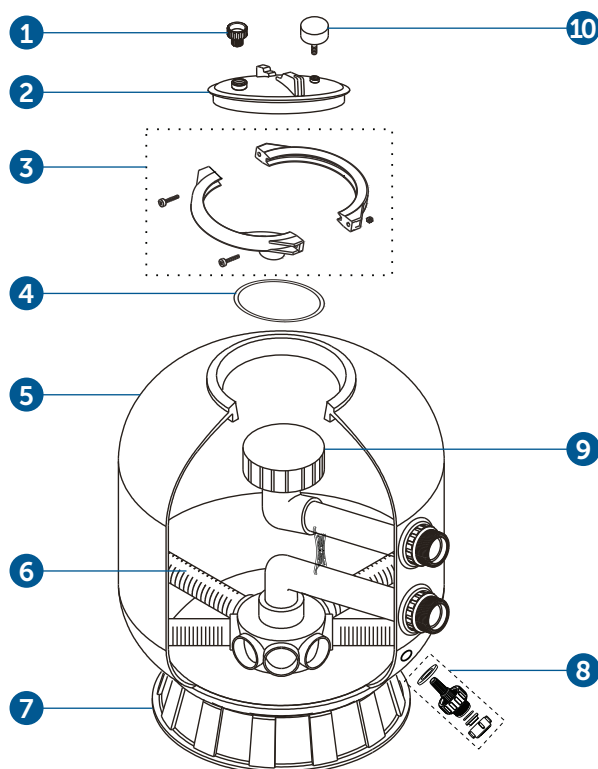
Installation/starting the filtration

1. Before any handling of the six-way valve, especially when switching valve functions, the circulation pump must not be running!
2. Press the lever of the six-way valve downwards and turn it in the position BACKWASH. It is necessary to note that when using this valve function a considerable amount of water will flow from the outlet!
3. Fill the pump with water up the pump and turn it on according the instructions (make sure that all suction and reversing pipes are open) to fill the filtration container with water. When the water is running out through the WASTE hose the system is fully filled with water. Before selecting any other function, you need to thoroughly rinse the new filter media. Rinsing media may take several minutes; you should count with the loss of pool water. Stop the Rinsing function as soon as clean water flows through the outlet - observe the clean water in the transparent part of the pipeline – aperture.
4. Turn the pump off and set the valve to the position RINSE. Start the pump until the water in the aperture is not clean. Turn the pump off, set the valve back to the FILTER position and re-activate the pump. The filtration is now running in the standard filtration mode and filters off the dirt from the pool water.
5. Check that the water doesn't leak from the system and the filter and if necessary, tighten the connections, screws or nuts.
6. After some time of the filtering of the pool water the pressure gauge will display a higher pressure, and this means that the filter medium is clogged with impurities. In this case it is necessary to perform a rinsing. When rinsing the filter medium, proceed in the same way as described above, including the settling function. Perform the rinsing when the pressure gauge shows a pressure of about 1.7-1.9 bar.

Note: During the first cleaning of the new pool water it might be necessary to rinse the filter medium more often because this water contains more dirt.

List of filter components

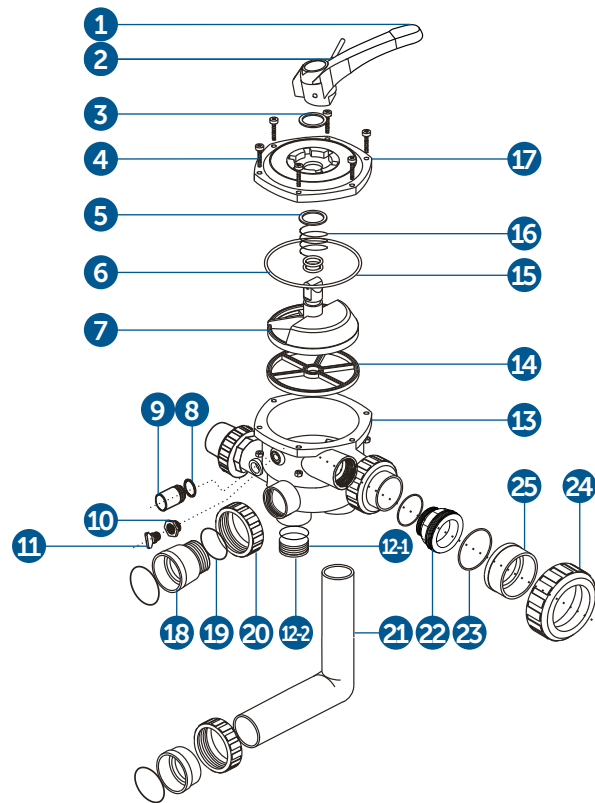
5.



| Item | Product Description | Product code |
|------|---|--------------|
| 1 | Relief valve | BXNDFN047 |
| 2 | Transparent cover | BXNDFN051 |
| 3 | Flange clip | BXNDFN027 |
| 4 | Filtration vessel cover seal | |
| 5 | Housing for P450 and FSP450 | BXNDFN011 |
| | Housing for P500 and FSP500 | BXNDFN012 |
| 6 | discharge pipe for filtration P400-P450 | BXNDFN043 |
| | discharge pipe for filtration P500 P700 | BXNDFN044 |
| | discharge pipe for filtration SP450 | BXNDFN045 |
| | discharge pipe for filtration SP500-SP700 | BXNDFN046 |
| 7 | base under housing P350 | BXNDFN019 |
| | base under housing P400-P450 | BXNDFN020 |
| | base under housing P500-P750 | BXNDFN021 |
| 8 | Discharge valve | BXNDFN050 |
| 9 | Diffuser | |
| 10 | Pressure gauge with O-ring | BXNDFN010 |

6.

List of six-way valve components



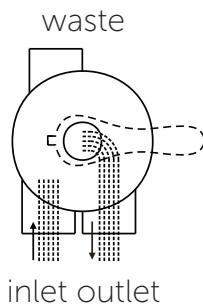
| Item | Product Description | Qty | Product code |
|------|-------------------------------------|-----|--------------|
| 1 | Lever | 1 | BXNDFN014 |
| 2 | Lever pin | 1 | |
| 3 | Washer | 1 | BXNDFN015 |
| 4 | Screw with nut | 6 | |
| 5 | Washer | 1 | BXNDFN016 |
| 6 | Rotating wheel O-ring | 2 | BXNDFN032 |
| 7 | Rotating wheel | 1 | BXNDFN025 |
| 8 | Aperture O-ring | 1 | BXNDFN053 |
| 9 | Aperture | 1 | BXNDFN053 |
| 10 | Stopper nut | 1 | BXNDFN024 |
| 11 | Stopper with O-ring | 1 | BXNDFN054 |
| 12-1 | O-ring | 1 | |
| 12-2 | Connector valve | 1 | |
| 13 | Body | 1 | BXNDFN030 |
| 14 | Inner seal for 6-way valve - spider | 1 | BXNDFN031 |
| 15 | Valve cap O-ring | 1 | |
| 16 | Spring valve | 1 | BXNDFN022 |
| 17 | Valve cap | 1 | BXNDFN007 |
| 18 | Hose coupler side attachment | 1 | BXNDFN026 |
| 19 | O-ring | 2 | BXNDFN026 |
| 20 | Connector nut | 2 | BXNDFN026 |
| 21 | Elbow pipe | 1 | BXNDFN008 |
| 22 | Double screw | 3 | BXNDFN028 |
| 23 | O-ring | 3 | BXNDFN028 |
| 24 | Connector nut | 3 | BXNDFN028 |
| 25 | Connector fitting | 4 | BXNDFN028 |

Functions of the valve and meaning of its positions

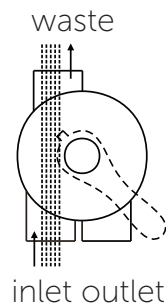
7.

| Valve position | Functions |
|----------------|--|
| filtration | filtration and suction |
| backwash | cleaning the filtration media (reverse flow) |
| rinse | cleaning the remaining impurities from the filtration after the backwash |
| waste | lowering the pool water level, suction |
| recirculation | circulation of water |
| closed | valve closed |

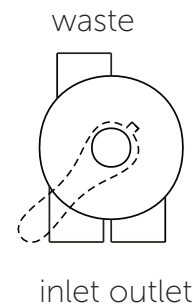
FILTRATION



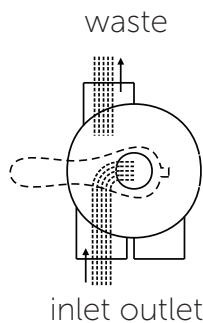
WASTE



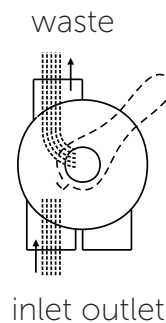
CLOSED



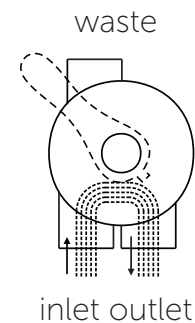
BACKWASH



RINSE



RECIRCULATION



Explanation of functions:

FILTER: Normal operation during cleaning and maintenance of the pool water, purified water passes through the filter medium.

BACKWASH: Cleaning the filter media. With this function, as compared with the filtering function, the direction of the flow of pool water is reversed through the filtration media, the impurities are rinsed out of the container. The period of water purification depends on the degree of impurities in the filter media and can take several minutes. Before running this function it is recommended to fill up at about 1m³ of water to the pool.

Caution: This function is necessary to ensure the drainage of the six-way valve (see Installation / startup).

RINSE: Thorough cleaning of the filtration media, the flow of water is the same as with the filtering.

Caution: When using this function it is necessary to ensure the drainage of water from the six-way valve (see Installation / startup).

WASTE: With this function it is possible to dynamically and rapidly drain the swimming pool water. The drained water is not lead through a filter medium. This function can be used for pool maintenance, while vacuuming. This method of vacuuming is recommended for use in the removal of larger quantities of impurities which settle on the bottom of the swimming pool shell, for instance following the use of flocculating products (floculants).

Caution: When using this function it is necessary to ensure the drainage of the six-way valve (see Installation / startup).

RECIRCULATION: With this function, the water is guided outside of the filter medium and can be used for filling of the filtration system; any air is displaced by this system up.

CLOSED: Water does not flow through the six-way valve. It is used for example in case of the necessity to disassemble the circulation pump technology.

Caution: When using this function the circulation pump must not be running!

Recommendation: During the winter shutdown, set the lever of the six-way valve to any intermediate position to avoid excessive wear and tear on internal seals of the Spider. Never switch on a feature of the six-way valve when the pump is running!

CAUTION: If there is a faulty valve, contact an authorized service centre. We do not recommend removing the valve yourself. Dismantling of the valve must be done by a person with technical training from the manufacturer. If, despite the aforementioned, you decide to dismantle the valve, proceed with caution, there is a risk of injury.

WARNING

- Turn the pump off before changing the position of the six-way valve
- Never operate this device without water.
- Never connect the filter directly to the water source from the water supply system. The water pressure from the water supply system might be much higher that the maximum pressure of the filter.
- Never turn the pump on if the position on the six-way valve is set to the Closed position or if pipes of the circulation system are impassable. There is a risk of a higher pressure than the working pressure which can lead to the damage, cracking, separation of the six-way valve cover that might cause injuries or damage to property.
- It is not permitted to sit or place a load on the device.
- Do not clean the filter cover or the filter container with a solvent, it could damage its surface (tarnishing, transparency, etc.)
- Clean the pump hair filter and the skimmer basket regularly in order to prevent damage to the pump and ensure the proper operation of the system.
- Do not unscrew flanged connectors if the pump is running.
- As all connectors are equipped with seals there is no need to screw the nuts too tightly, it could damage the plastic components.

Warranty conditions

8.

Warranty conditions

The warranty conditions are governed by the commercial and warranty conditions of your supplier.

Safe liquidation of the product at the end of its useful life

Once the product's useful life has ended, please ensure its ecological liquidation by a specialised company.

Complaints and Service

Claims are governed by the relevant acts on consumer protection.

In the event of any irreparable defects, please contact your supplier in writing.

Date

| | |
|--|----------|
| | Supplier |
|--|----------|

Thank you
for using ALBIXON
products



ALBIXON

export@albixon.com
www.ALBIXON.com

Note that the photos used in the manual are illustrative only. Printing and typesetting errors reserved.