

Recirculation Nozzle



INSTALLATION
AND USER GUIDE



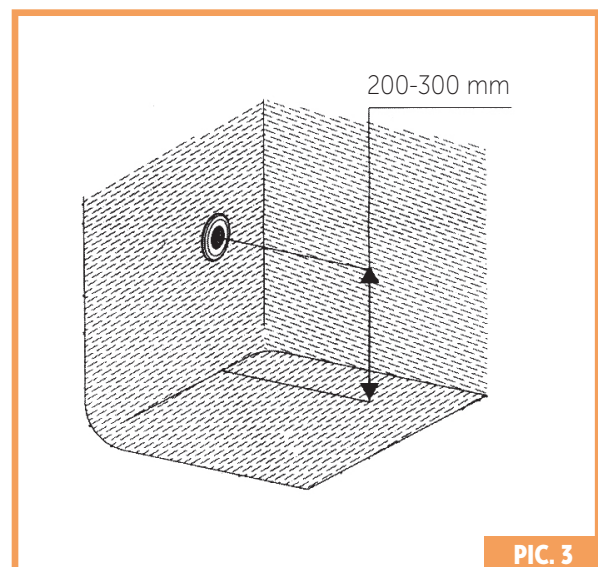
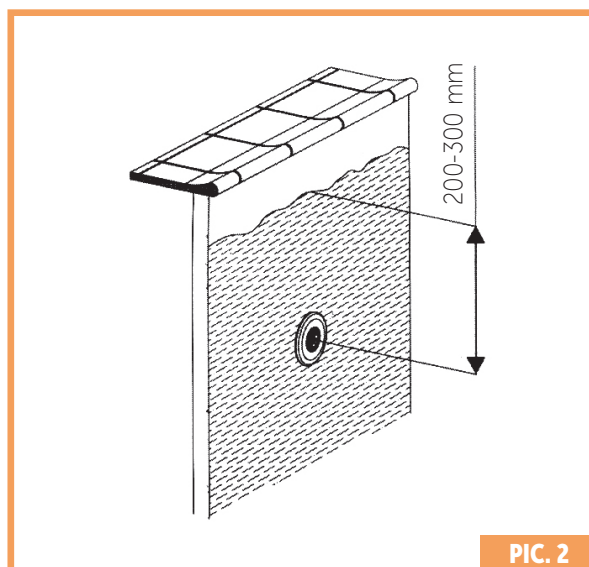
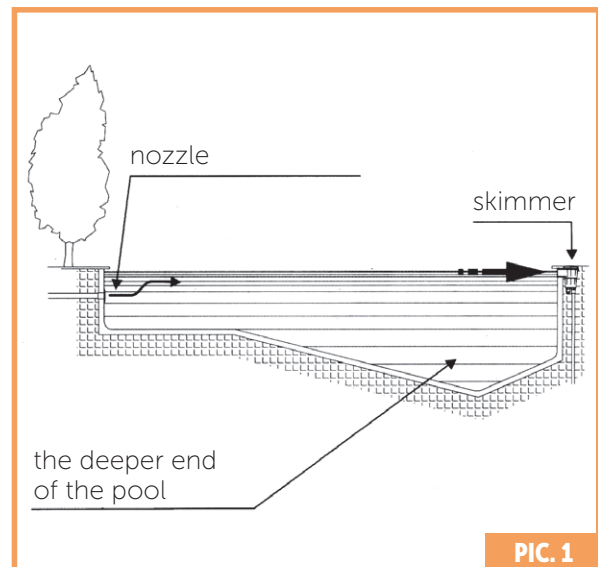
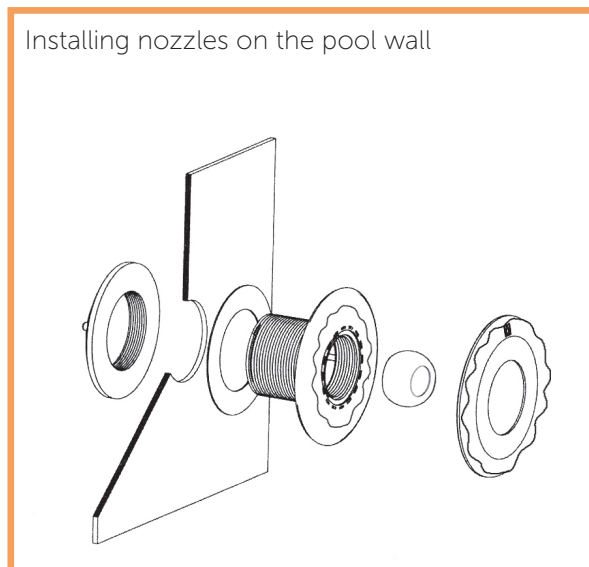
VERZE 31. 8. 2017 / REVIZE: 31. 8. 2017

EN

1.

Instructions for use

- One of the most important factors in the design phase of the pool is planning an efficient and regular recirculation of the water in the pool.
- The specific function of the return nozzle is to create a flow in the pool with the help of the return water from the filtration system.
- The required number of inputs is determined by the type of pool and the required flow. The location of inputs is also important to produce a uniform circulation of water without the formation of dead spots.
- For pools with skimmers (placed against the prevailing wind direction, pics. 1 and 2) the return inlets should be placed either opposite or on the sides of the wall.
- For pools where an overflow channel is installed, it is recommended that you install the return inputs at the bottom of the pool, or at the bottom of the side walls (pic. 3).



Warranty conditions

The warranty conditions are governed by the commercial and warranty conditions of your supplier.

Safe liquidation of the product at the end of its useful life

Once the product's useful life has ended, please ensure its ecological liquidation by a specialised company.

Complaints and Service

Claims are governed by the relevant acts on consumer protection.

In the event of any irreparable defects, please contact your supplier in writing.

Date

	Supplier
--	----------

Thank you
for using ALBIXON
products



ALBIXON

export@albixon.com
www.ALBIXON.com

Note that the photos used in the manual are illustrative only. Printing and typesetting errors reserved.