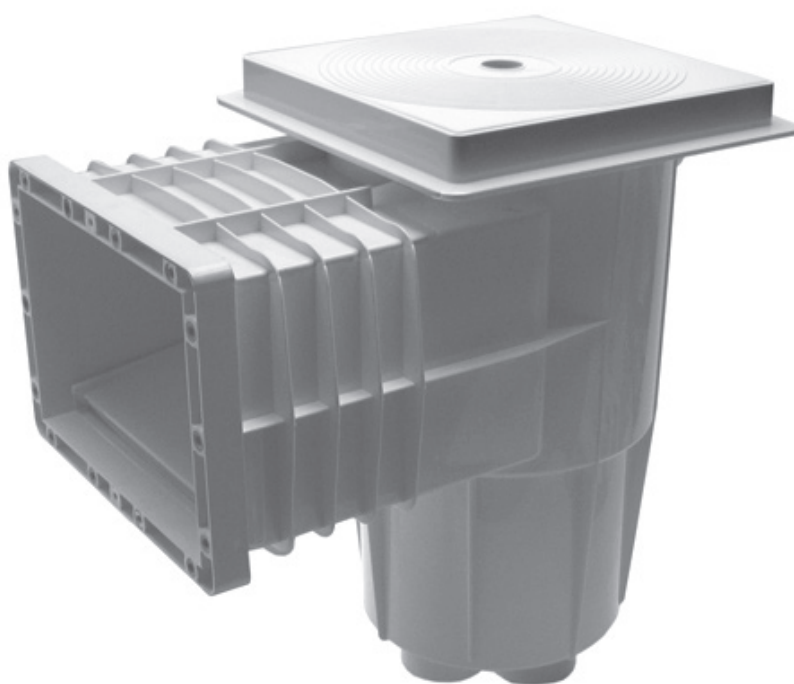


# SKIMMER 15 l



INSTALLATION  
AND USER GUIDE



VERZE 31. 8. 2017 / REVIZE: 31. 8. 2017

EN

# 1.

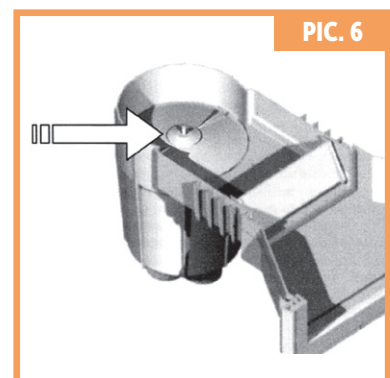
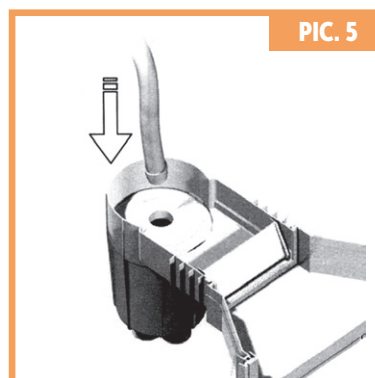
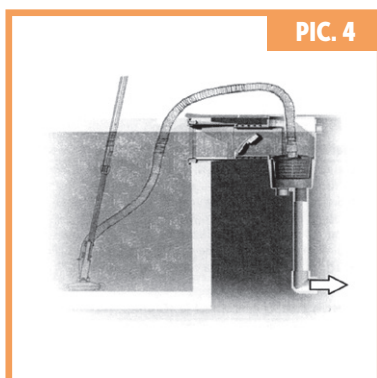
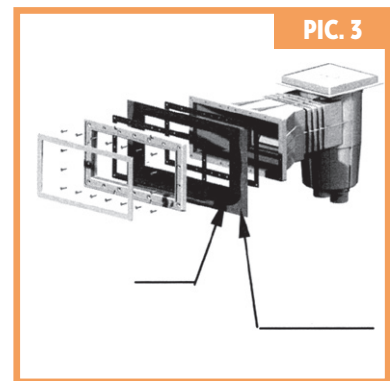
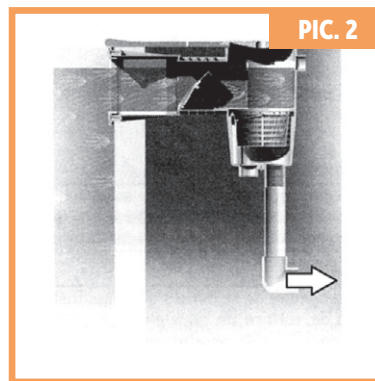
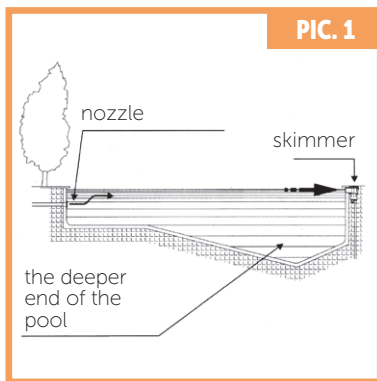
## General description

Skimmers are used to remove impurities from the surface of the water in swimming pools. We recommend considering this fact during the construction of the pool so that the skimmer can be installed with holes against the prevailing wind direction.

# 2.

## Installation

- When selecting the number of skimmers that you need to install in the pool, we recommend the following simple rules: 1 skimmer per 25 m<sup>2</sup> of water in the pool, while the maximum flow of the skimmer should not exceed 5000 l / h.
- Generally, where there are one to two pool skimmers, they should be placed on the width of the pool at the deep end, when there are three or more skimmers, they should be placed along the length of the pool. In all cases they should be placed against the return inputs (pic. 1).
- The installation should be performed according to the instructions of pic. 2 or 3, depending on whether it is a concrete or prefabricated swimming pool. To avoid air intake, it is necessary to take great care to maintain the correct water level.
- When removing the disc for a vacuum cleaner and a basket from the skimmer, make sure that it is constructed using a bayonet system. Do not pull the parts up sharply. First, turn them so that the two flat sides of the cover and the baskets are aligned with the flat sides of the device body, and then gently pull upwards.



## Work with a vacuum cleaner

3.

- Skimmers may also be used for other functions including a connection for the pool vacuum cleaner hose (pic. 4).
- If you want to join the pool vacuum cleaner to the skimmer, place the disc into the vacuum basket and insert the pool cleaner hose connection into the middle hole of the vacuum cleaner disc (pic. 5).
- If there is more than one skimmer in the pool all the other skimmers should be closed with the supplied flow stopper or the basket should be fitted with the respective cover (pic. 6).

- 1 Switch the valve filtration unit to filter and turn the filtration unit on.
- 2 Fill the vacuum cleaner hose with water (e.g. water flow from the reversible nozzle).
- 3 Hold the free end of the hose below the surface and attach the vacuum cleaner disc. Wait until a flow of water comes out of the vacuum cleaner disc, and then quickly place the vacuum cleaner disc into the skimmer body and firmly attach above the skimmer basket. When installing the vacuum cleaner disc to the skimmer careful not to interrupt the water column in the hose and one end of the hose should be submerged under water.

## Warranty conditions

4.

### Warranty conditions

The warranty conditions are governed by the commercial and warranty conditions of your supplier.

### Bezpečná likvidace výrobku po skončení jeho životnosti

Once the product's useful life has ended, please ensure its ecological liquidation by a specialised company

### Complaints and Service

Claims are governed by the relevant acts on consumer protection.

In the event of any irreparable defects, please contact your supplier in writing.

Date .....

Supplier

*Keep these instructions so that you can refer to them in the future.*

*In order to get optimum performance from the skimmer, follow the instructions.*

Thank you  
for using ALBIXON  
products



**ALBIXON**

[export@albixon.com](mailto:export@albixon.com)  
[www.ALBIXON.com](http://www.ALBIXON.com)

Note that the photos used in the manual are illustrative only. Printing and typesetting errors reserved.