

SKIMMER

15 x 15 a 15 x 30

with nozzle



INSTALLATION
AND USER GUIDE



VERZE 31. 8. 2017 / REVIZE: 31. 8. 2017

EN

Contents

1.	Use	3
2.	Installation	3
3.	Instructions for operation	4
4.	Winterisation	4
5.	Spare parts	5
6.	Warranty conditions	6

Thank you for choosing our product and trusting our company. To help you to get the maximum pleasure from using this product, please read these instructions carefully before use and strictly follow the user's manual to prevent damage to the device or unnecessary injuries.

Use

1.

The skimmer is used for the suction of water from the pool surface through a filtration device. Insects, leaves and other floating debris are sucked into the skimmer and caught in the basket for impurities. The skimmer can be connected to a reinforced hose such as 5/4" (32 mm) and 6/4" (38 mm).

Installation

2.

Instructions for installation of the skimmer body to the wall of an above-ground swimming pool

- a. Remove the overlapping edges of the holes for the skimmer and reversible nozzles in the wall and rub down all the sharp burrs. This is recommended to be done before placing the liner into the pool.
- b. Take one hose thorn and screw it into the body of the skimmer. Use Teflon tape as a seal (do not use any adhesives or sealants).
- c. Before the actual installation the skimmer body must be partially screwed to the pool wall. From the outside of the pool attach one seal and the skimmer body in the marked holes. Secure the position with a pair of shorter screws in the central holes along the sides of the skimmer. Before this, check for proper deployment of the flap in the inlet flange of the skimmer body. The flap must move freely.
- d. Now install the pool liner and fill the pool with water so that the water level reaches approximately 5 cm below the level of the connection hole of the reversible nozzle.
- e. From the outside of the pool, pierce all the holes in the liner for connecting the body of the skimmer with a sharp nail. From inside the pool, attach a second seal and flange. Insert the remaining 10 longer screws in the holes in the flange and use a Phillips screwdriver to tighten them gradually.
- f. Cut the liner from the flange with a sharp knife.
- g. Now install the reversible nozzle.

Note: For installation you will need a Phillips screwdriver and a knife with a sharp tip.

Instructions for installing the reversible nozzles

- a. From the outer side wall of the pool cut out a circular opening in the liner with a sharp knife for connection of the reversible nozzle. Cut out the hole in the liner about 5-10 mm smaller than the hole in the wall.
- b. Take the other hose thorn and screw it into the reversible nozzle body. Use Teflon tape as a seal (do not use any adhesives or sealants).
- c. Insert the reversible nozzle into the circular hole on the wall of the inside of the pool, so that one rubber seal is inside the pool, and one cork and one rubber seal are outside. Tighten the reversible nozzle well.
- d. Screw the directional endings into the body of the reversible nozzle and direct it to point to the hole in the skimmer.
- e. Connect the skimmer and reversible nozzle with a filter device with hoses. Secure the connections with the hose with clamps.

3.

Guidelines for operation

- a. The optimum water level is in the middle of the skimmer overflow.
- b. Clean the skimmer basket daily.
- c. The skimmer filled with water must not freeze. Before the advent of frosts, carry out the winterisation of the pool.
- d. The skimmer can be operated even when the pool vacuum cleaner is connected.

Adjusting the reversible nozzles

The direction of water flow coming from the nozzle can be adjusted - rotate the internal nozzle ball into the requested position. The water stream should be directed from the opening of the overflow skimmer to achieve the optimum effect of pulling the surface dirt into the skimmer. The water in the pool must 'rotate'.

Working with a vacuum cleaner

The vacuum cleaner is used to remove dirt deposited on the bottom with a filter device. The water flow through the hose and the cleaner head is sucked by the pump to the filter where the dirt is caught.

Note: The pool vacuum cleaner is not included in the skimmer package. Consult your dealer.

1. Remove the cover of the skimmer. Turn the filtration unit valve to the filter position and switch on the filter unit.
2. Fill the vacuum cleaner hose with water (e.g. water flow from the reversible nozzle).
3. Hold the free end of the hose below the surface and attach the disc. Wait until a stream of water starts flowing from the disc and then insert the disc quickly into the skimmer body, then place it firmly above the skimmer strainer. When attaching the disc into the skimmer, be careful not to interrupt the water column in the hose and that one end of the hose is submerged under water.

Note: If you want to use a vacuum cleaner adapter, it is necessary to proceed with this change:

- take off the cover of the skimmer overflow flap (carefully, to avoid damaging the flaps). Put it into the body of the skimmer disc with the fitted adapter (the neck of the adapter must remain submerged below the surface so that the filtration unit can draw water) and direct the adapter towards the pool. Turn the filter unit on.
 - Fill the vacuum cleaner hose with water (e.g. water flow from the reversible nozzle) and attach the other end of the adapter inside the skimmer. When doing so, be sure that both ends remain below the surface.
4. Connect the pool vacuum cleaner in the opposite end of the hose (which must still be under water).
 5. Now you can start vacuuming. When vacuuming make sure that the vacuum cleaner head does not reach above the surface and thus preventing air intake into the inlet. Vacuum dirt from the bottom slowly, as any sharp movement of the vacuum cleaner stirs up the deposited dirt.
 6. When you have finished vacuuming, disconnect the hose from the disc and remove the disc from the skimmer body.

When you have finished vacuuming it is recommended to check the condition of the filtration, and whether it is necessary to clean the filter.

4.

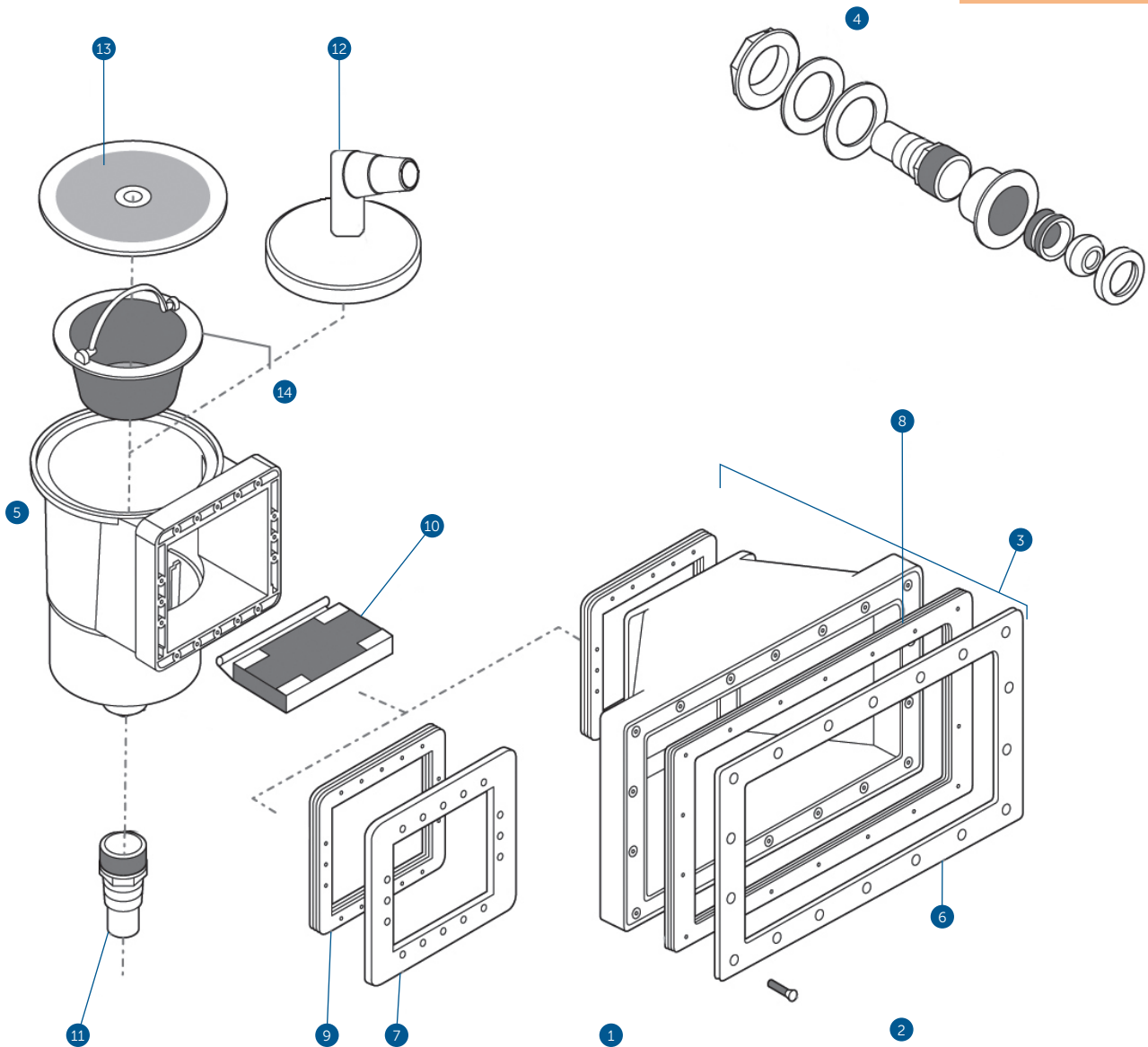
Winterisation

Before the advent of frosts, follow the instruction guide for the pool.

Frost damage is not covered under warranty.

Spare parts

5.



Item	Product Description
1	standard set 15 x 15
2	set with a wide neck 15 x 30
3	complete wide neck
4	reversible nozzle with sealing and hose horn
5	skimmer body
6	wide neck flange
7	standard neck flange
8	2x seal - outer wall / inside the pool (wide neck)
9	2x seal - outer wall / inside the pool (standard neck)
10	float door
11	hose horn 32/38 mm
12	vacuum cleaner disc
13	cover
14	basket

6.

Warranty conditions

Warranty conditions

The warranty conditions are governed by the commercial and warranty conditions of your supplier.

Safe liquidation of the product at the end of its useful life

Once the product's useful life has ended, please ensure its ecological liquidation by a specialised company.

Complaints and Service

Claims are governed by the relevant acts on consumer protection.

In the event of any irreparable defects, please contact your supplier in writing.

Date

	Supplier
--	----------

*Keep these instructions so that you can refer to them in the future.
In order to get optimum performance from the skimmer, follow the instructions.*

Thank you
for using ALBIXON
products



ALBIXON

export@albixon.com
www.ALBIXON.com

Note that the photos used in the manual are illustrative only. Printing and typesetting errors reserved.